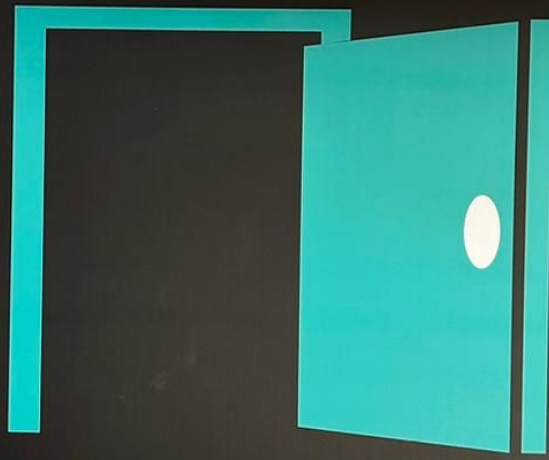




Save Tree



Save Environment



**BHEEMA WPC FRAME™**

**GREAT PRODUCT FOR GREAT BUILD**



**WPC DOOR.  
WPC PLANK.  
WPC DECK TILES.  
WPC DOOR FRAME.  
WPC WALL CLADDING.  
WPC DECK FLOORING.  
WPC PERGOLA & GAZEBO.  
WPC INTERIOR LOUVERS.  
WPC EXTERIOR LOUVERS.**

## Welcome to our company

**BHEEMA WPC FRAME** - is one of the rapid growing indian company in the domain of manufacturing an extensive variety of WPC Board, WPC Door Frame and PVC Foam Board etc. Integrity, Honesty, transparency, competency and objectivity are the working principles of our company. Resultant of which company always keep the supply time of products to any part of the country below or half the industry standards. Our products are quality tested austerely by our quality control professionals and CIPET (Central Institute of plastics Engineering and Technology) to Make Sure that they are 100% Flawless.

With the help of our experience, we are able to recognize your requirements and we put our best to Fulfill it with good quality service. We are a professionally managed company with strong expertise in the WPC Door & Frame and are pioneers as far as innovation and engineering the product is concerned.

Our offered materials are manufactured using premium quality raw material and modern technology by our experienced professionals. The provided materials are widely appreciated by the clients for its high strength and excellent finish.

Our all india wide network of marketing field staff and franchisees ensure that the customer is provided full support of product supplied by the factory are installed up to his complete satisfaction.

# Vision & Mission



## Our Vision and Values



**INTEGRITY :** Polytech champion an environment of honesty transparency, Fairness and high moral standards



**INNOVATION :** We embrace change and creativity to deliver the best practical outcomes.



**EXCELLENCE :** We strive to exceed expectations and be the best that we can be, maintaining the highest level of quality



**PARTNERSHIP :** We build strong relationships and alliances to achieve success for the long term.



**EMPOWERMENT :** We encourage initiative and provide opportunity for our clients.

The ability to craft and use high quality materials for a structure convey sentiments and encourage new ideas. New age design enthusiasts with time have come to appreciate engineered high-performance composite materials for specific geographical locations and uses, with this brochure we showcase the inventive and technical constituents of our WPC extrusions for outdoor and indoor use and simply in understanding the importance of balancing utility, functionality and aesthetics- all at the same time!

With the sentiment of helping minimize environmental pollution, we've brought something that will withstand years of sun, rain, snow and big gatherings. These high-performance composite planks hold steady against natural elements: they resist fading from the sun and won't get mouldy after a rainstorm or give you splinters.

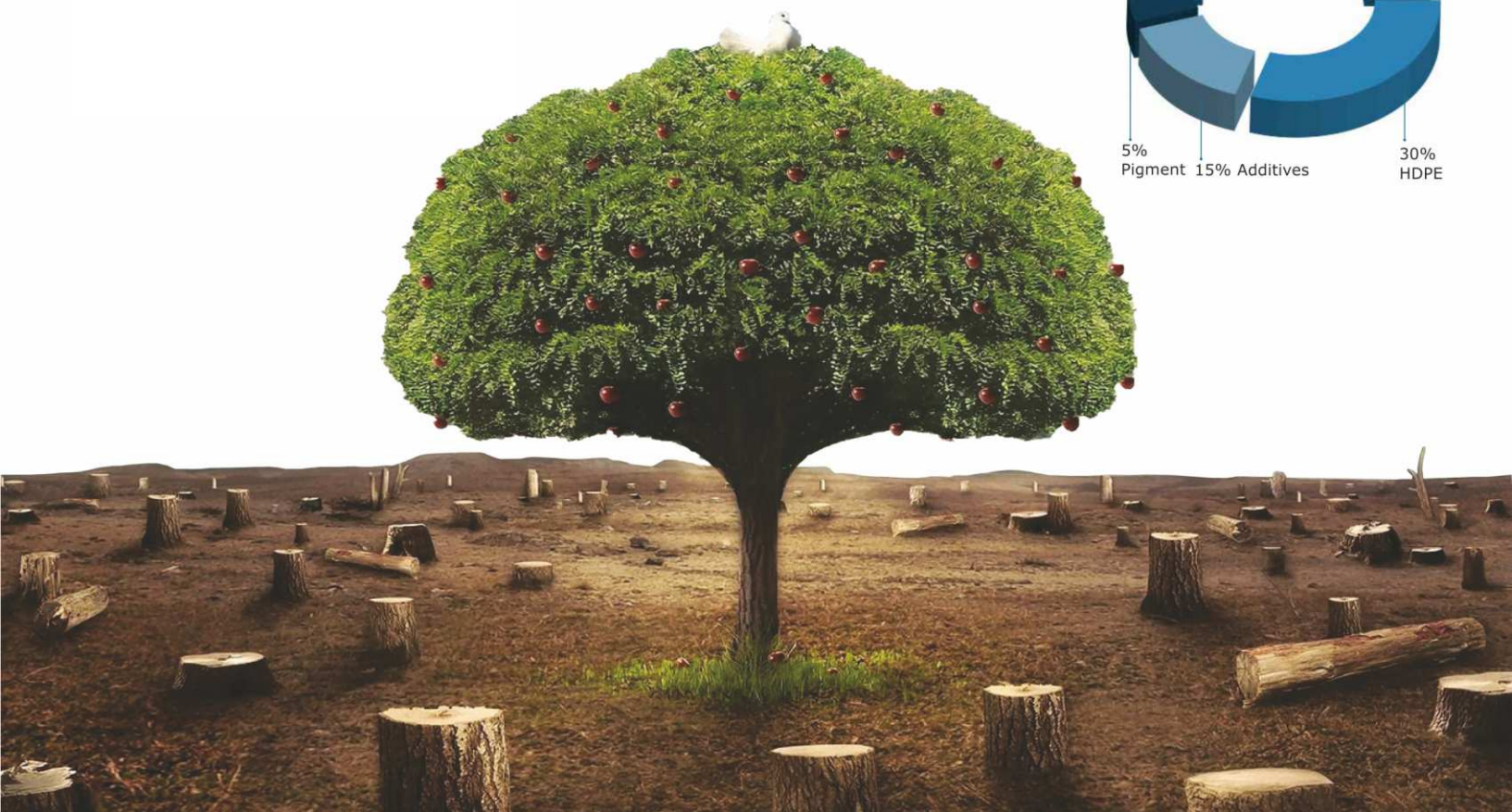
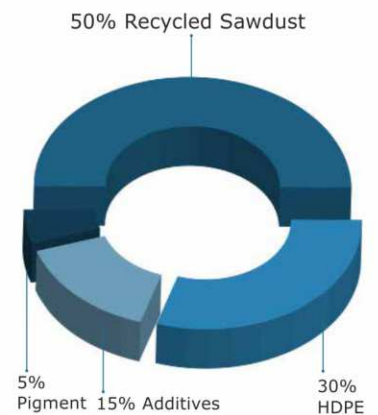
Our planks are manufactured primarily from a blend of recycled organic [Wasted Wood fibers] and plastic materials [post commercial recycled HDPE- High Density Polyethylene]

The organic materials in these boards is recycled and reclaimed wood: the polyethylene is principally recycled shrink wrap and grocery bags - all of which would otherwise end up



- High Impact Resistance and less susceptible to scratches
- Impervious to oxidizing; preventing chalkiness
- Superior beauty and comfort; Low maintenance

- No warping, rolling or splinters
- Environmentally friendly & less polluting.
- Highly affordable.



# BHEEMA WPC



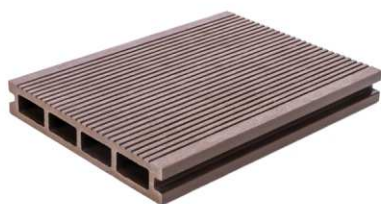
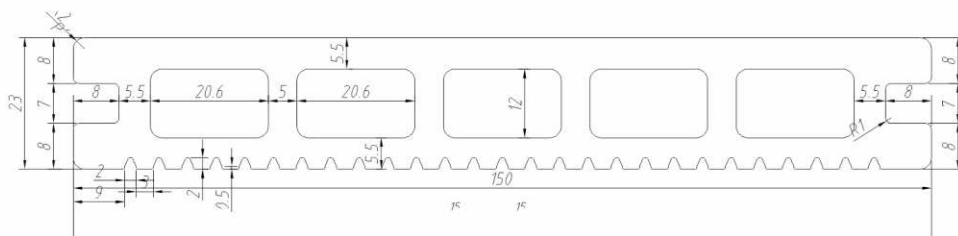
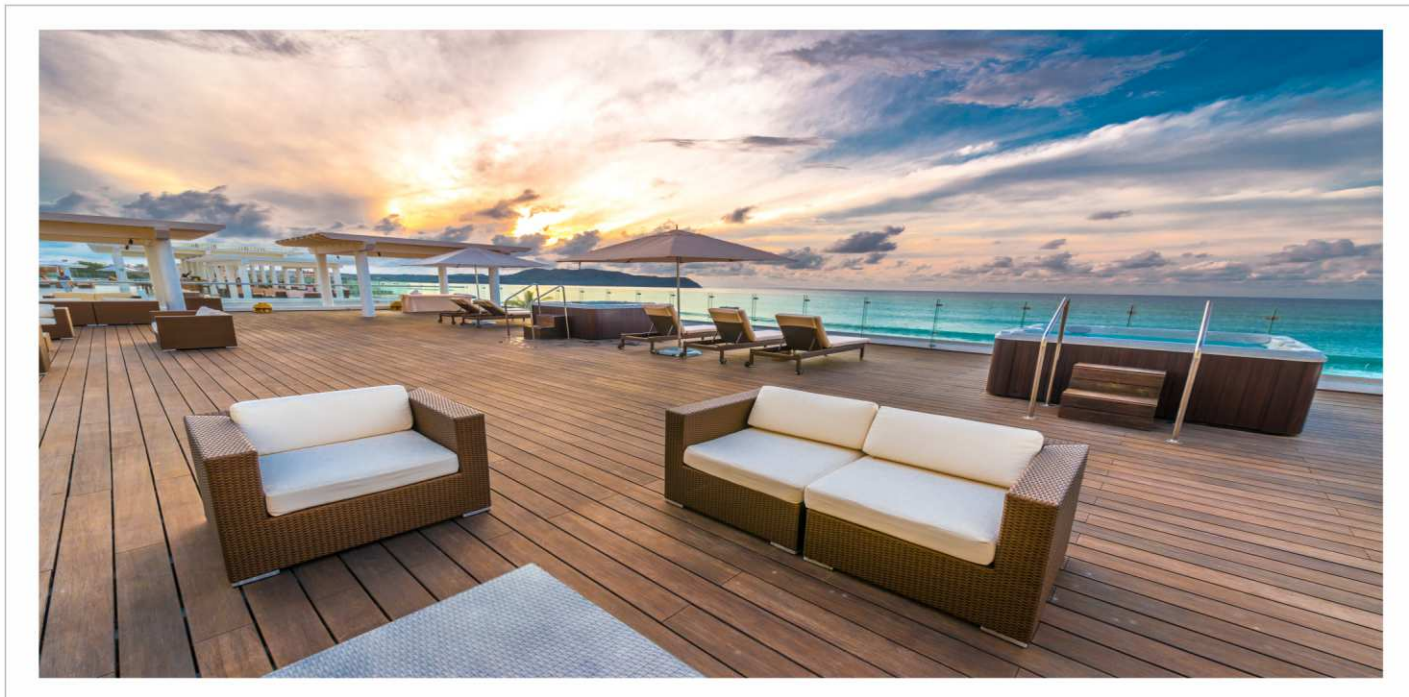
- 01** Exterior & Interior Wall Cladding
- 02** Exterior & Interior Ceiling Cladding
- 03** Exterior & Interior Fluted Cladding

- 04** Outdoor Decking
- 05** Deck Tiles
- 06** Terrace & Garden Pergolas

- 07** Shading & Baffles
- 08** Railings
- 09** Louvers & Screens

- 10** Horizontal Fins
- 11** Vertical Elevation Fin Features
- 12** Gates & Fencing

**BHEEMA WPC** range of application based low maintenance decking is suitable for every need. Elegant colours, combined with different surface finishes, results in an unmatched choice for different conditions which look great and will stay that way. High performance, low on maintenance, **BHEEMA WPC** reversible deck planks are fitted to an aluminium framework with concealed fixtures, offering barefoot safe anti-skid surfaces.



**Profile Code** : **BW-1001**  
**Dimensions** : 150mm x 23mm  
**Standard Length** : 8ft, 10ft  
**Surface Finishes** : Brushing, Sanding.  
**Colour** : Wallnut.

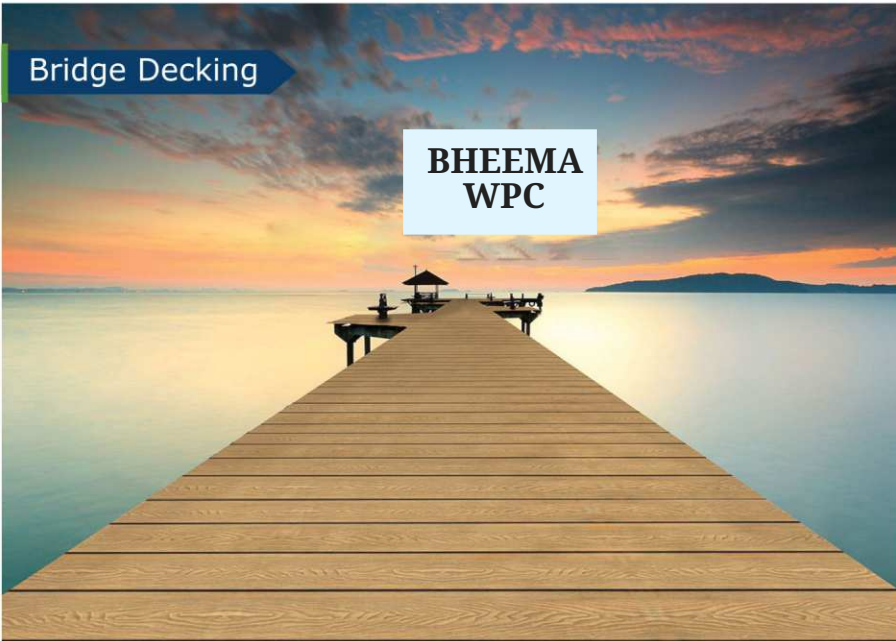
**Profile Code** : **BW-1002**  
**Dimensions** : 150mm x 23mm  
**Standard Length** : 8ft, 10ft  
**Surface Finishes** : Sanding, Brushing, Wooden Effect.  
**Colour** : Teak



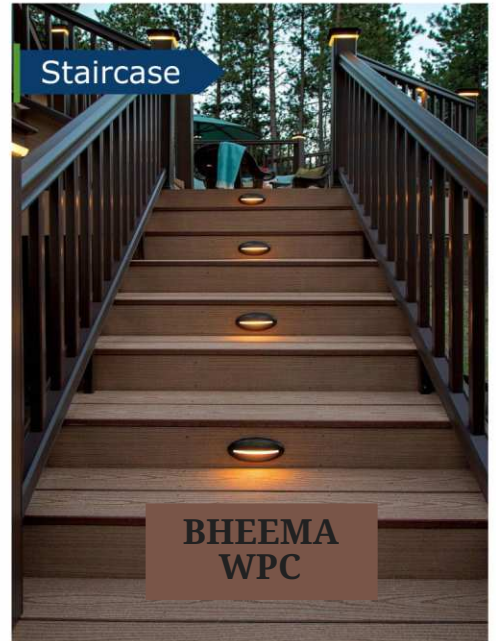
Floor Decking



Bridge Decking



Staircase



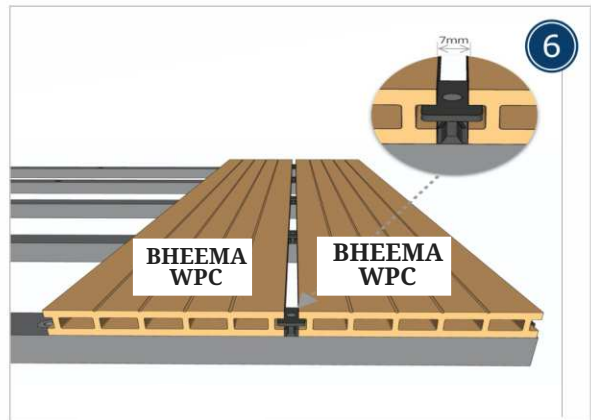
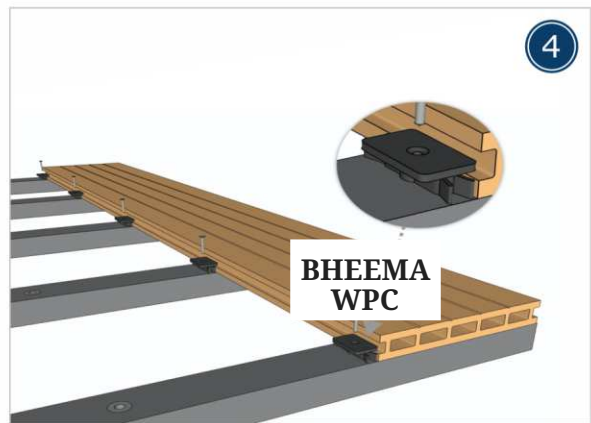
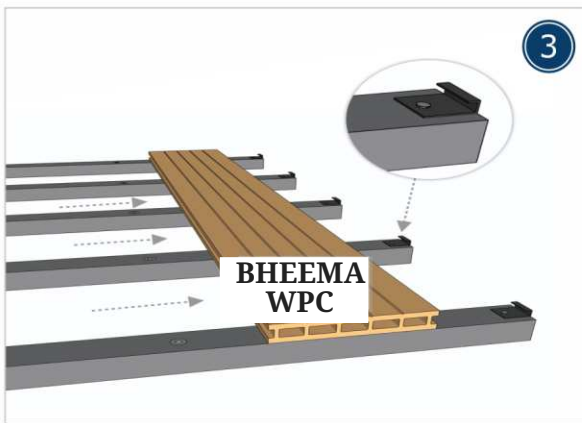
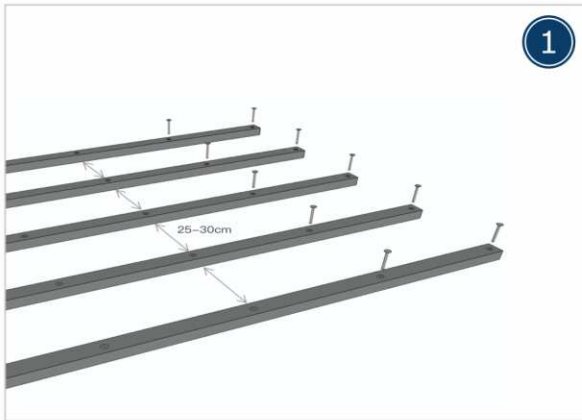
Planter Box



Bench



## DECK FLOOR INSTALLATION



## Hardware & Accessories



Flooring Joint



Steel Deck Flip



Starter Clip



WPC Edge Profile

## How to Install Deck Flooring

1. Considering the heat and water absorption ,WPC products will be slightly inflation,so the joist when placed should be reserved 3-5 mm from the building.
2. Considering the hard brittle of WPC materials,the joist need to pre-drilling before fix the expansion screw.
3. The spacing between joists should be 25-30cm.
4. The spacing between expansion screws should be 400mm to 500mm.
5. After the joist is fixed, drainage should be done to avoid factors that damage the decking, such as water swelling.
6. Fix the starter clips on one side of the joist.
7. Insert the decking into the starter clips, and install the first decking board.
8. Insert the clips in board and screw into joist (do not tighten).
9. Insert the second board into previous clips.
10. Insert next row of clips securing board (do not tighten).
11. Fully tighten clips & screws from step 8 and repeat from step 9.
12. Finish the corner edging and complete the decking installation.



# WPC WALL CLADDING

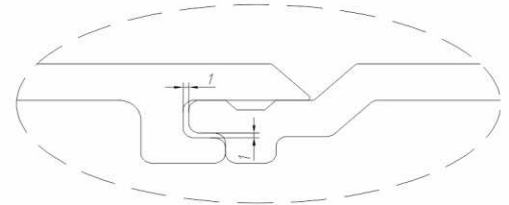
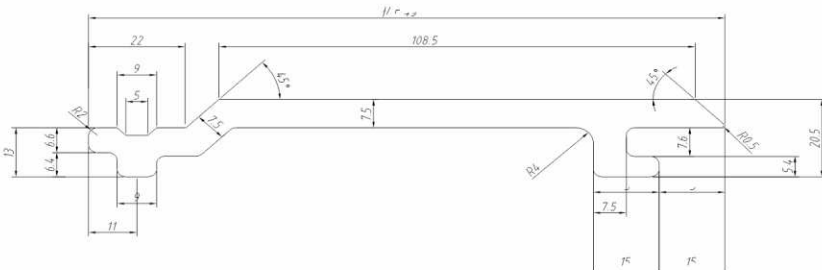
**BHEEMA WPC**-Cladding boards lend a distinct impression on facades. They are highly resistant to fading or dis-colouration, Give new look to the building for years, without any hassles of periodic maintenance. Interlocking assembly of the product ensures no water leaks to the building superstructure hollow core technology for insulation are benefits which may not be available in other facade solutions.



**BHEEMA WPC**



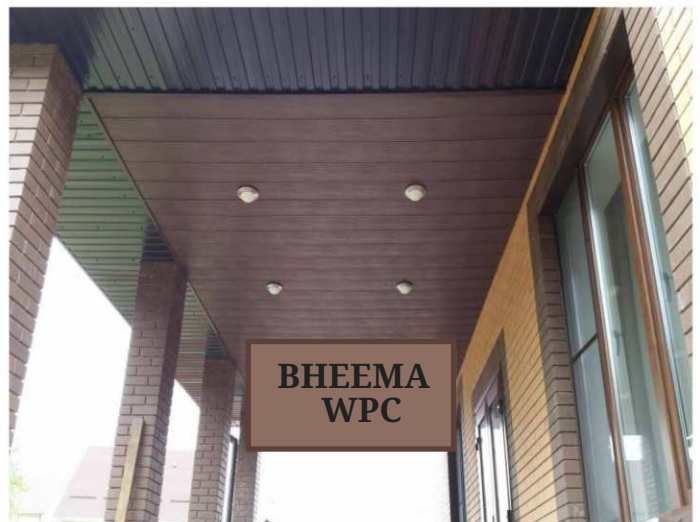
**BHEEMA WPC**



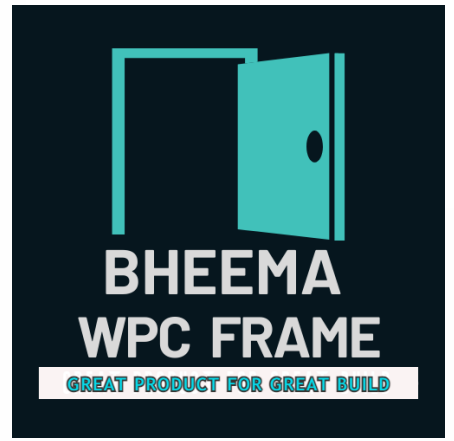
**Profile Code** : **BW-2001**  
**Dimensions** : 145mm x 20.5mm  
**Standard Length** : 8ft, 10ft  
**Surface Finishes** : Brushing.  
**Colour** : Wallnut.

**Profile Code** : **BW-2002**  
**Dimensions** : 145mm x 20.5mm  
**Standard Length** : 8ft, 10ft  
**Surface Finishes** : Sanding, Brushing, Wooden Ef fect.  
**Colour** : Teak





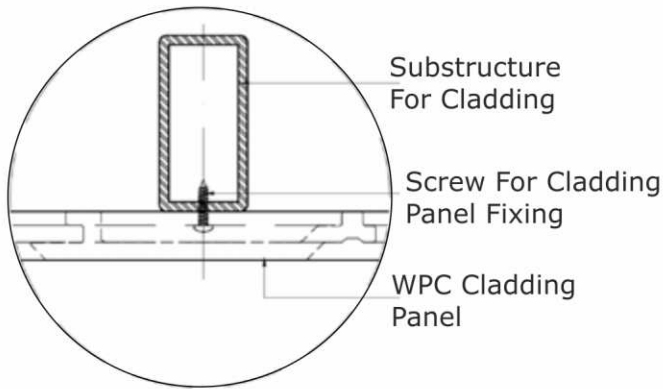
# Installation



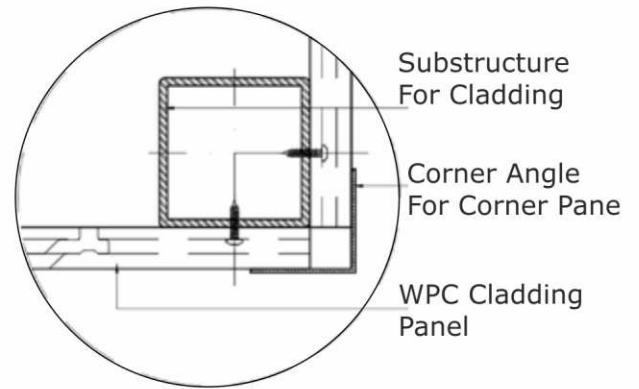
Elevation Cladding

Ceiling

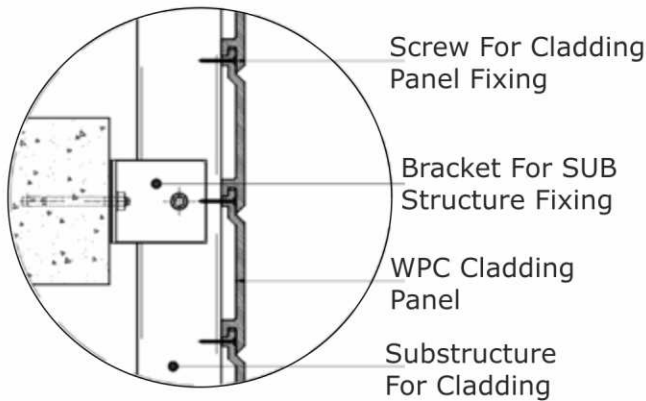
## FIXING DETAILS OF ELEVATION CLADDING



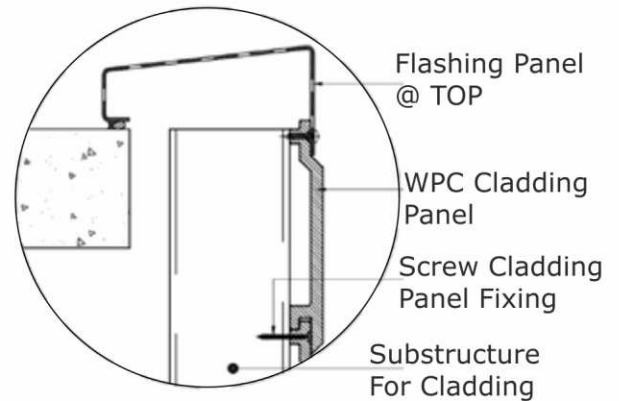
**Typical Plan Detail**



**Typical Corner Detail**

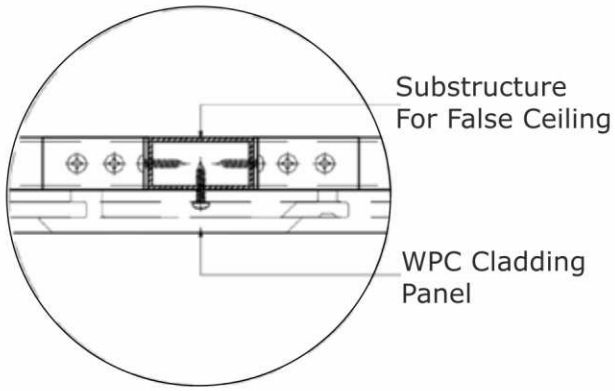


**Typical Intermediate Detail**

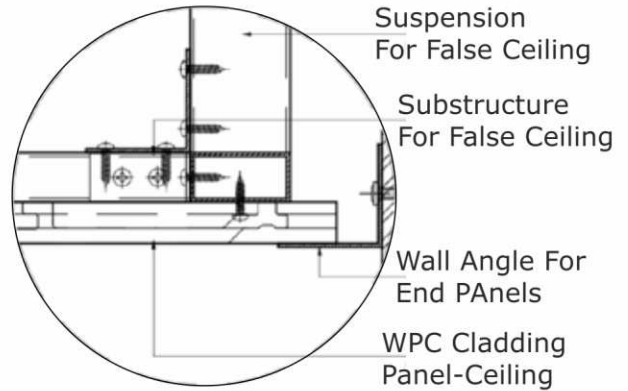


**Typical Top Detail**

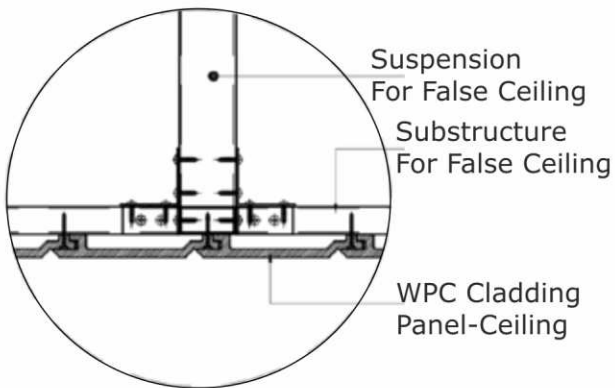
# Fixing Details Of False Cladding



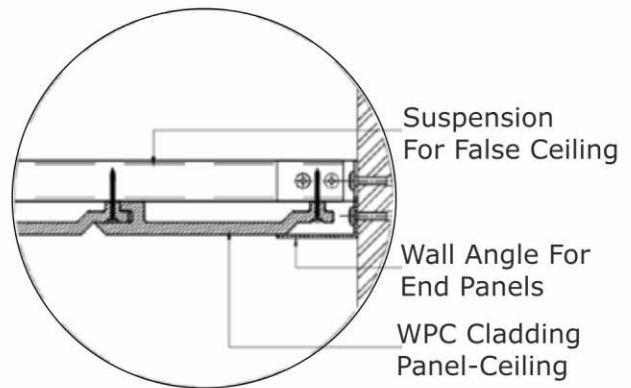
**Typical Plan Detail**



**Typical End Detail**

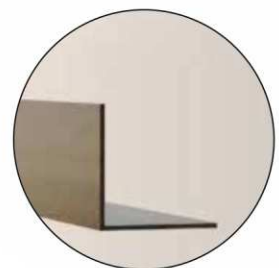
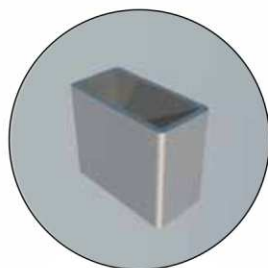


**Typical Intermediate Detail**



**Typical End Detail**

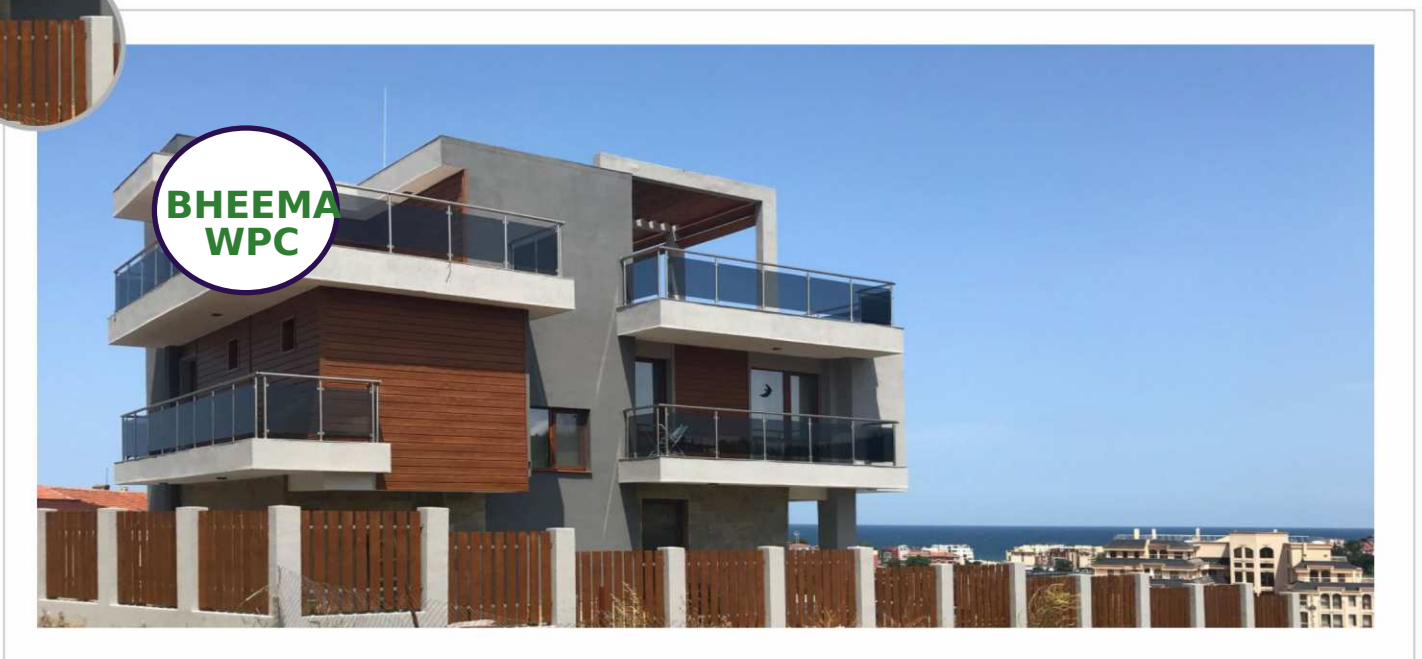
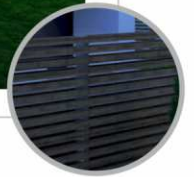
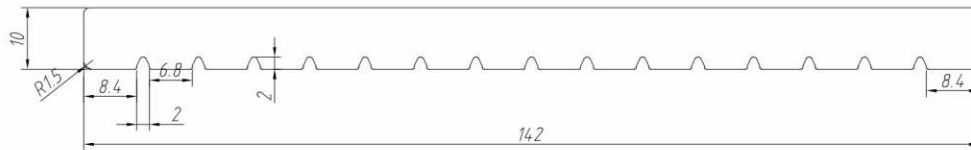
## Hardware & Accessories



# W P C



**BHEEMA WPC-PLANKS** display exceptional premium aesthetics for multiple exterior applications. Combining wood and thermoplastics (HDPE), **BHEEMA WPC** Planks are the most suitable product for exteriors delivering high durability and product lifetime without any maintenance when compared to conventional materials like cement fiber boards and aluminum. **WPC** Planks are the perfect fit for louvers, railings and multiple other architectural exterior use.





**Profile Code** : **BW-3001**  
**Dimensions** : 142mm x 10mm  
**Standard Length** : 8ft, 10ft  
**Surface Finishes** : Sanding, Brushing.  
**Colour** : Teak

**Profile Code** : **BW-3002**  
**Dimensions** : 142mm x 10mm  
**Standard Length** : 8ft, 10ft  
**Surface Finishes** : Sanding, Brushing.  
**Colour** : Walnut.



WATER PROOF



TERMITE PROOF



FIRE RESISTANCE



HIGH SCREW HOLDING  
CAPACITY



RECYCABLE



MOISTURE PROOF



ECO FRIENDLY

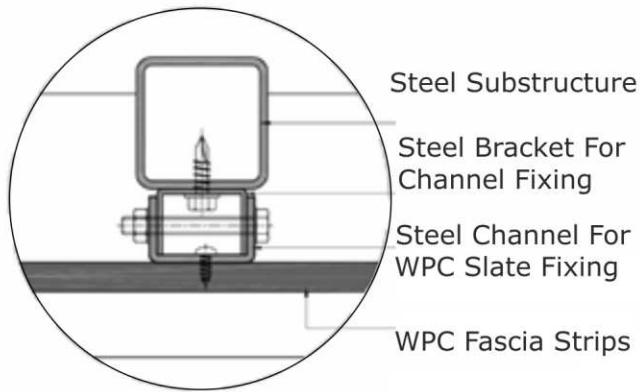
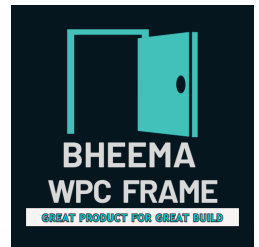


EASY TO INSTALL

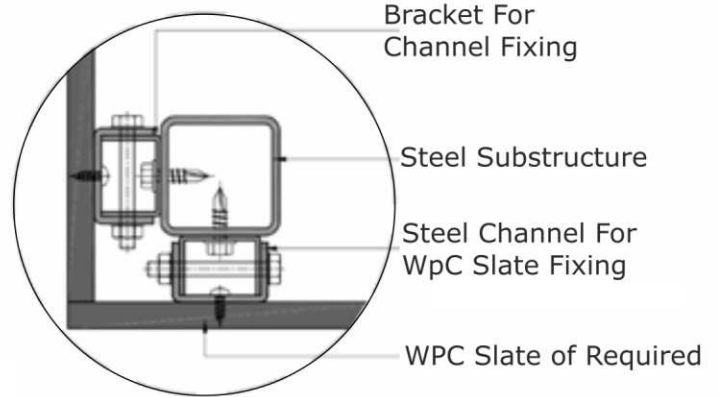




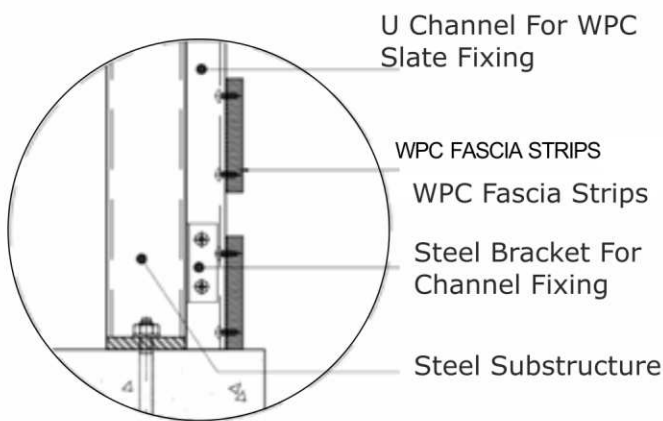
# WPC PLANK INSTALLATION



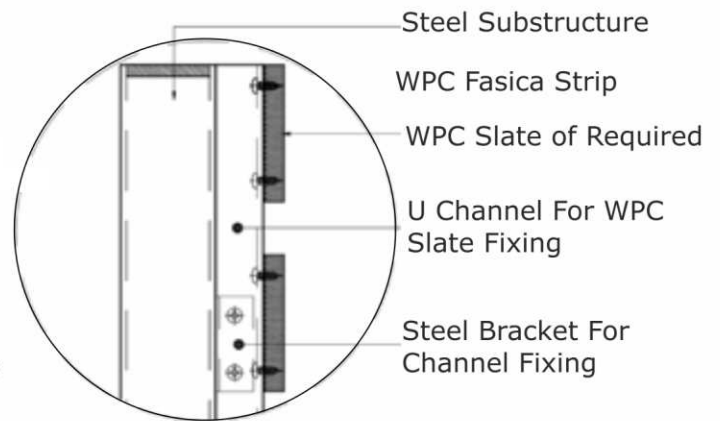
**Horizontal Fixing Detail**



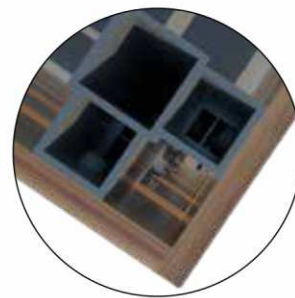
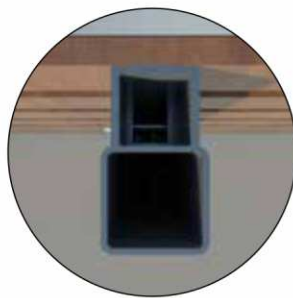
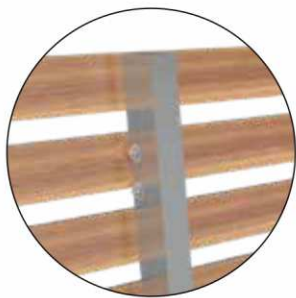
**Horizontal Corner Detail**



**Bottom Fixing Detail**



**Top Fixing Detail**



## HARDWARE & ACCESSORIES



Substructure Box



Bolt Nut



U Channel/bracket



Hex Screw #8x19



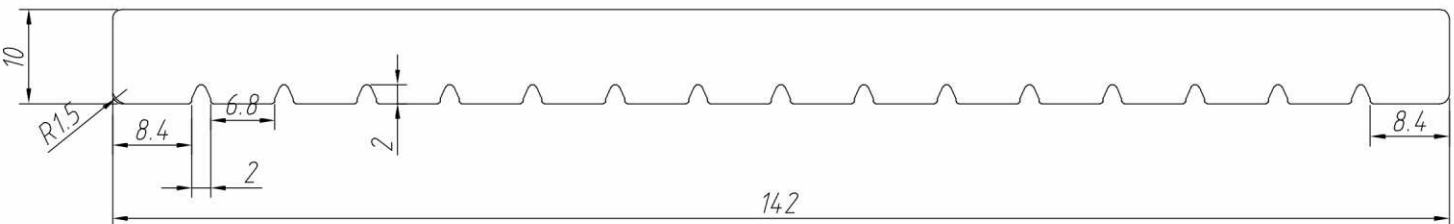
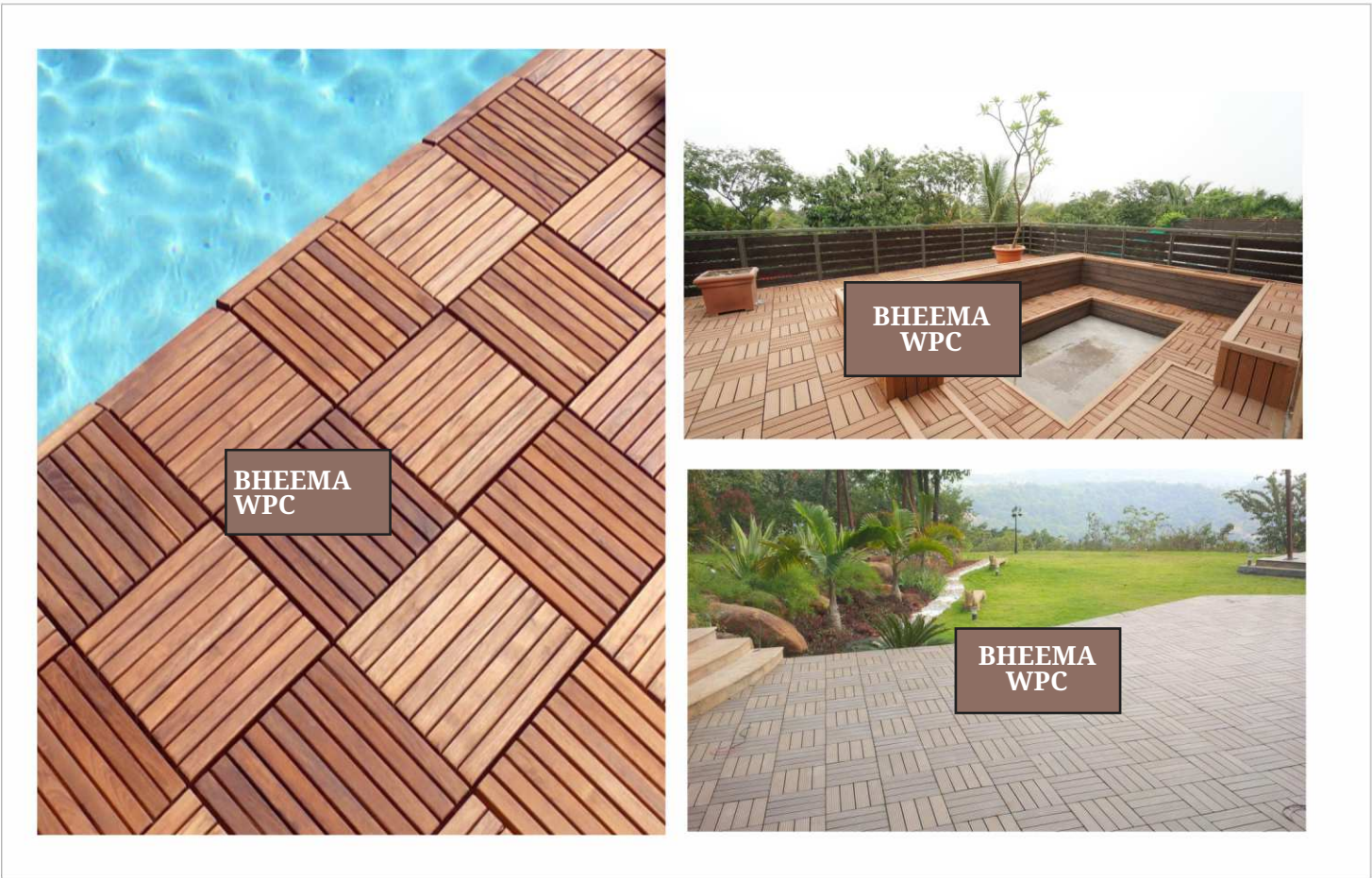
# WPC DECK TILES



## BHEEMA WPC

Deck Tiles is the quick and simple solution if you want to transform your balconies or rooftops. WPC provides a range of WPC Deck Tiles with a series of color and wood grain for selection. The installation is very easy as far as the flat surface are concerned, simple steps can complete the outdoor floor laying and no need to use other tools.

**BHEEMA WPC** Deck Tiles have a non-slip deck surface that can be used as a non-slip floor next to the swimming pool. High strength plastic interlock frame at the bottom facilitates air circulation and water discharged from the bottom.





**Profile Code** : **BW-4001**  
**Dimensions** : 300mm x 300mm  
**Surface Finishes** : Brushing.

**Profile Code** : **BW-4002**  
**Dimensions** : 300mm x 300mm  
**Surface Finishes** : Brushing.



**Profile Code** : **BW-4003**  
**Dimensions** : 300mm x 300mm  
**Surface Finishes** : Brushing.

**Profile Code** : **BW-4004**  
**Dimensions** : 300mm x 300mm  
**Surface Finishes** : Brushing.



**Profile Code** : **BW-4005**  
**Dimensions** : 300mm x 300mm  
**Surface Finishes** : Brushing.

**Protip: Mix around the different styles (vertical and horizontal) to give your deck a unique look.**



**BHEEMA  
WPC**



**BHEEMA  
WPC**



**BHEEMA  
WPC**



**BHEEMA  
WPC**



**BHEEMA  
WPC**



**BHEEMA  
WPC**

## WPC DECK TILES INSTALLATION

- 1 The Deck Tile is relatively easy to install using its four side interlocking base making it very user friendly. Each side has two male and female connectors that connect to an adjacent tile, these connectors are circled in Diagram 1.

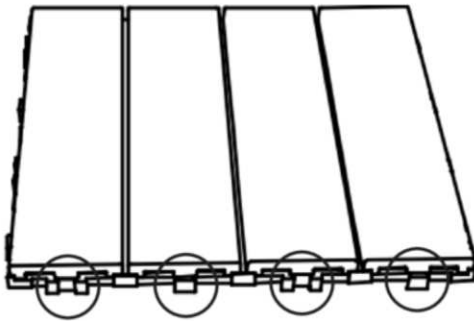


Diagram : 1

- 2 Place the first tile in a corner of flush along the edge of the area you will be installing as shown in Diagram 2.

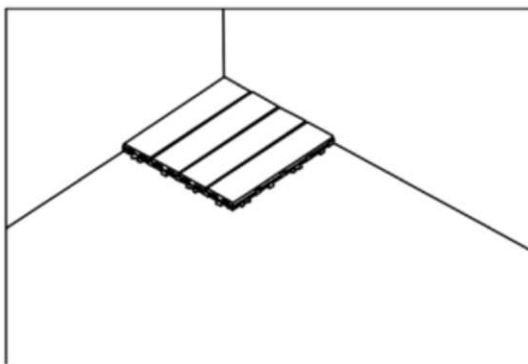


Diagram : 2

Next take another tile and determine which type of pattern/style you like to do. Vertical is shown in Diagram 3 and horizontal is shown in Diagram 4.

Type your text



Diagram : 3



Diagram : 4

- 3 Now, take the second tile and align the connectors up with the first tile as shown in Diagram 5.

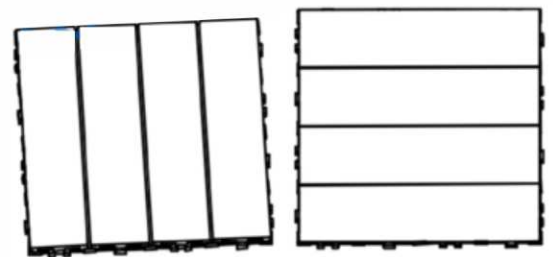


Diagram : 5

- 4 Then, attach the first two connectors into each other as shown in Diagram 6. You might need to lift up one of the tiles to get a better grip.

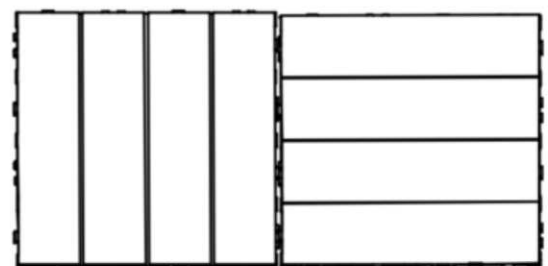


Diagram : 6

**BHEEMA WPC** -hollow profiles are the perfect material for pergolas, gazebos and elevation features. Our light weight sections replace heavy steel frames or wood which demand periodic maintenance and painting to avoid deterioration from exposure to weather or corrosion, with a wood appearance that requires little maintenance, **BHEEMA WPC** retain natural wood aesthetics in terrace and garden pergolas, cantilever features, car parks, elevation features of buildings and other applications.

### APPLICATION

- Beach Areas
- Hotel Buildings
- Hotel Gardens
- Roof Gardens
- Theme Parks
- Villa Complex
- Parking Areas



**Profile Code** : EW-5001  
**Dimensions** : 50mm x 40mm  
**Standard Length** : 8ft, 10 ft  
**Surface Finishes** : Brushing.

**Profile Code** : EW-5002  
**Dimensions** : 120mm x 60mm  
**Standard Length** : 8ft, 10 ft  
**Surface Finishes** : Brushing.



**Profile Code** : EW-5003  
**Dimensions** : 150mm x 150mm  
**Standard Length** : 8ft, 10 ft  
**Surface Finishes** : Brushing.



**BHEEMA  
WPC**



**BHEEMA WPC**



**BHEEMA  
WPC**

# Pergola & Gazebo



**BHEEMA  
WPC**



**BHEEMA  
WPC**



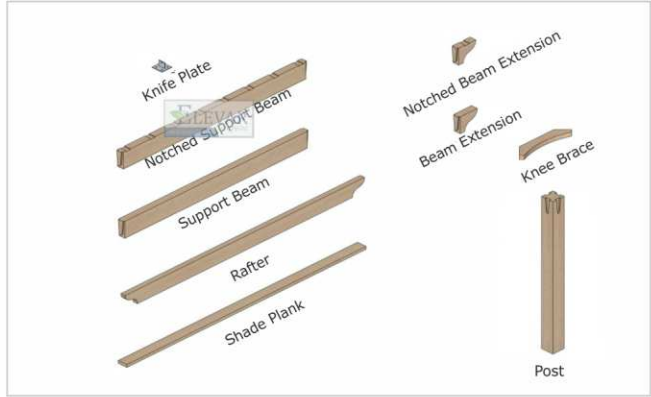
**BHEEMA  
WPC**



**BHEEMA  
WPC**



# WPC PERGOLA & GAZEBO INSTALLATION



**STEP 1:** Layout the Location of the Posts.

**STEP 2:** Install the Knife Plates.

**STEP 4:** Prepare Posts.

**STEP 3:** Determine if bottom of Posts need to be Cut.

**STEP 5:** Stand the Posts & Set beams.

**STEP 6:**

**STEP 7:** Hold Knee Braces in place with 3" Screw before fastening with 7" lags.

**STEP 8:** Install Rafter.

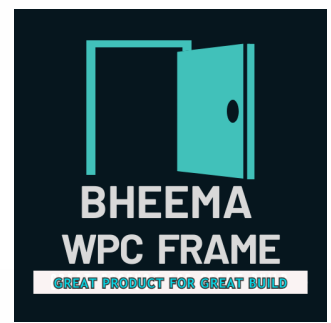
**STEP 9:** Fasten Rafters Support beams with 3" Screw on each side.

**STEP 10:** Install the Shade Planks.

**STEP 11:** Plug holes & touch up.



# WPC RAFTERS



WPC Rafters helps in protecting the garden areas from animals and gives flexibility to personalize the living space. Rafters also use in baffle ceiling, louvered partitions, staircase railing partition, roofing sunshade, Elevation Sunshade.



**Profile Code** : **BW-5001**  
**Dimensions** : 50mm x 40mm  
**Standard Length** : 8ft, 10 ft  
**Surface Finishes** : Brushing.

**Profile Code** : **BW-5002**  
**Dimensions** : 120mm x 60mm  
**Standard Length** : 8ft, 10 ft  
**Surface Finishes** : Brushing.



**Profile Code** : **BW-5003**  
**Dimensions** : 150mm x 150mm  
**Standard Length** : 8ft, 10 ft  
**Surface Finishes** : Brushing.



Louvered Partitions



Baffle Ceiling System



Louvered Partitions



Roofing Sunshade



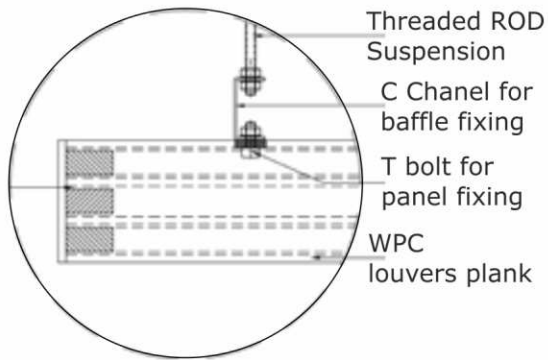
Staircase Railing Partitions



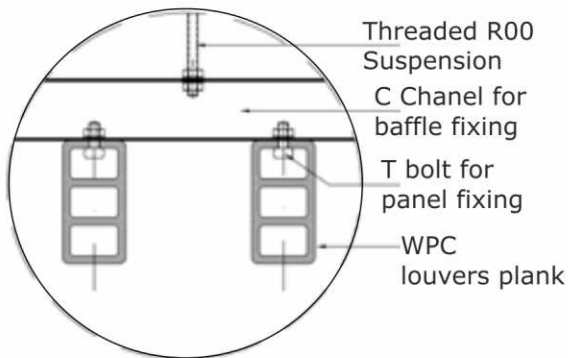
# WPC Rafter INSTALLATION



## Baffle Ceiling System



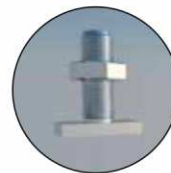
**Typical Fixing Detail-A**



**Typical Fixing Detail-B**



### Hardware & Accessories



T BOLT

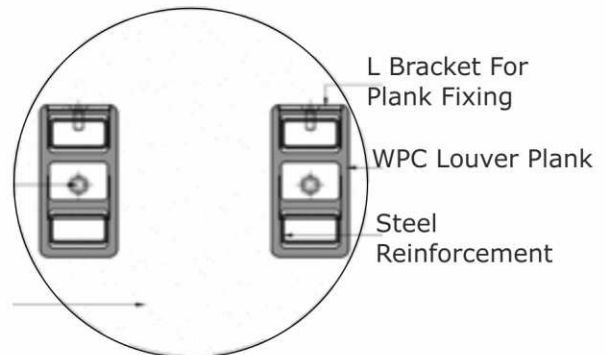


BAFFLE FIXING CHANNEL

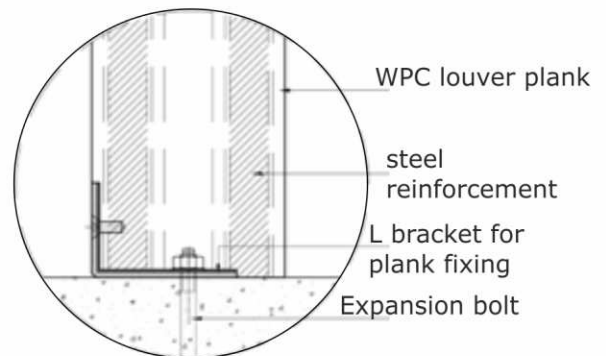


THREADED ROD

## Partation System



**Horizontal fixing detail**



**Vertical fixing detail**

### Hardware & Accessories



L BRACKET



ALLEN BOLT



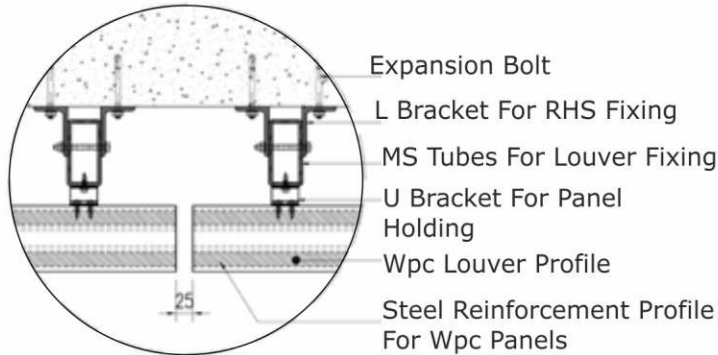
EXPANSION BOLT



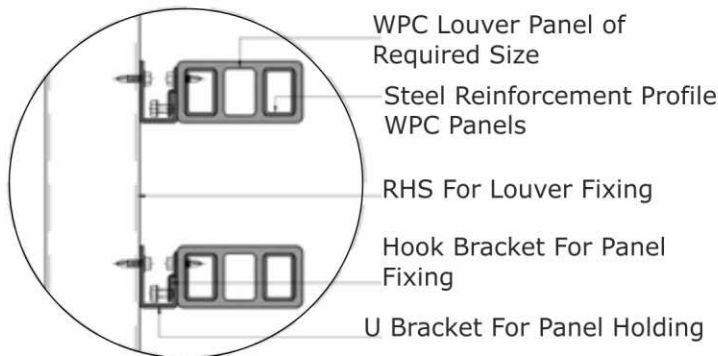
# WPC Rafter INSTALLATION



## Elevation Sunshade System Horizontal



**Horizontal fixing detail**

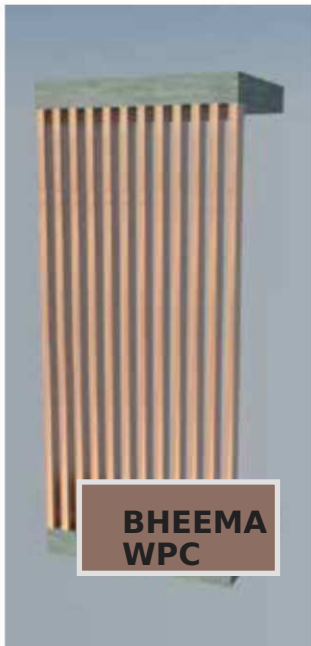


**Vertical fixing detail**

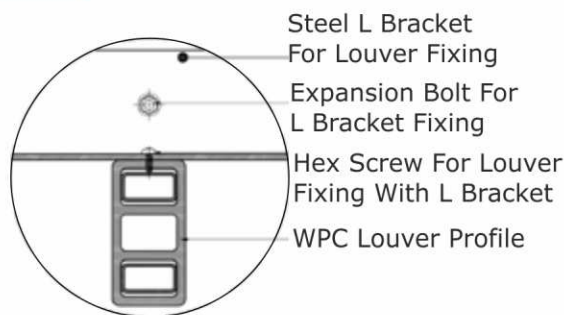


**BHEEMA  
WPC**

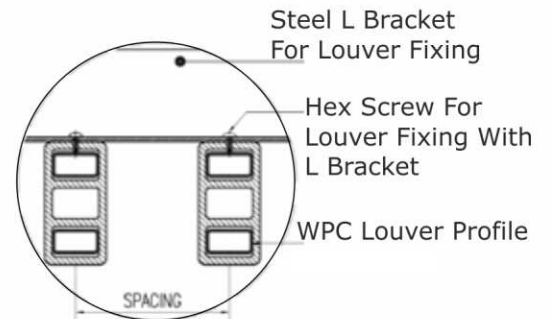
## Vertical Beam to Beam



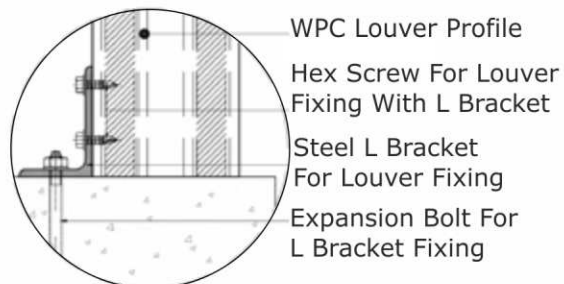
**BHEEMA  
WPC**



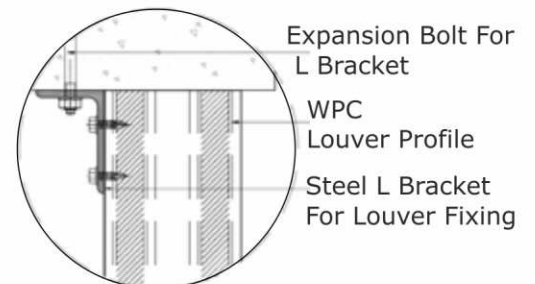
**Horizontal fixing detail**



**Horizontal spacing detail**



**Bottom fixing detail**



**Top fixing detail**

### Hardware & Accessories



Expansion Bolt



Panel Bracket



BOLT NUT



L Bracket



Wall Bracket



Rectangular MS Tube Reinforcement

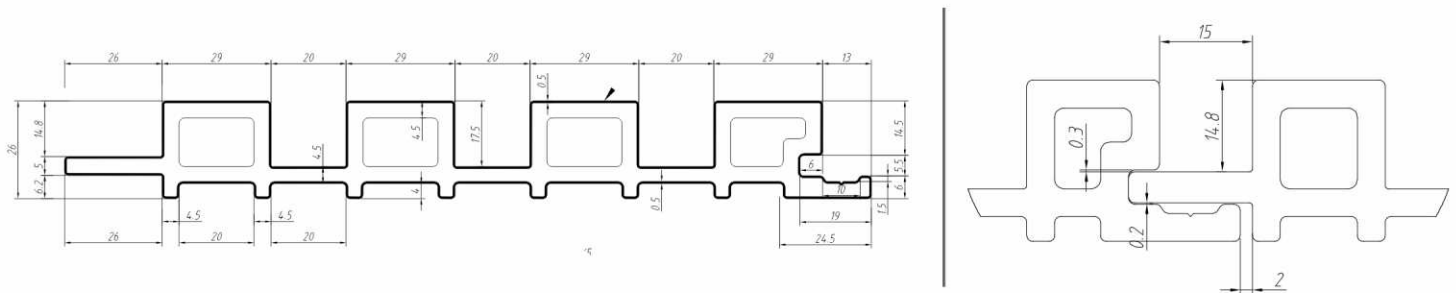


HEX Screw



U Bracket

Presenting a remarkable combination of nature and technology, Which offers a highly Superior, Resilient and Cost effective alternate to real wood cladding. Created from the fusion of recycled hardwood fibres and virgin polymer resins using the latest Co-Extrusion Technology, Exterior Louver & Interior Louver Panels are Pre Finished, Ready to Install, Completely Water & Termite Proof, Stain resistant and durable enough to last for a lifetime. Our Louver Panels can be used to beautify all Exterior & Interior Walls and Ceilings in residential and commercial applications without any fear of deformation, rot or fading.

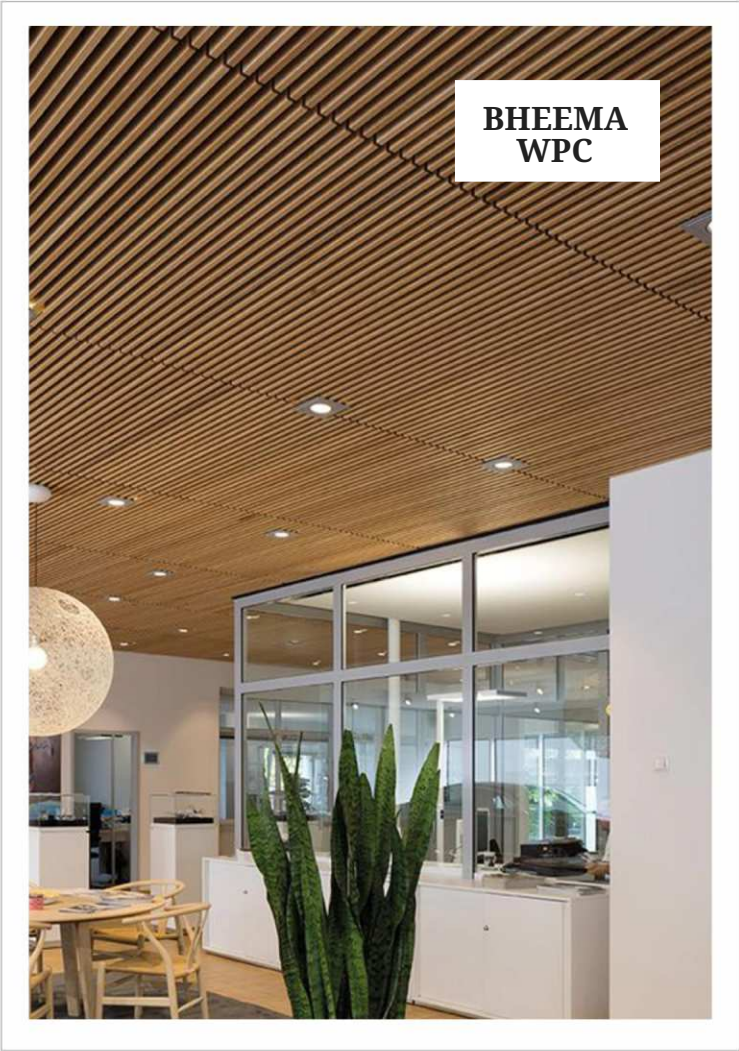
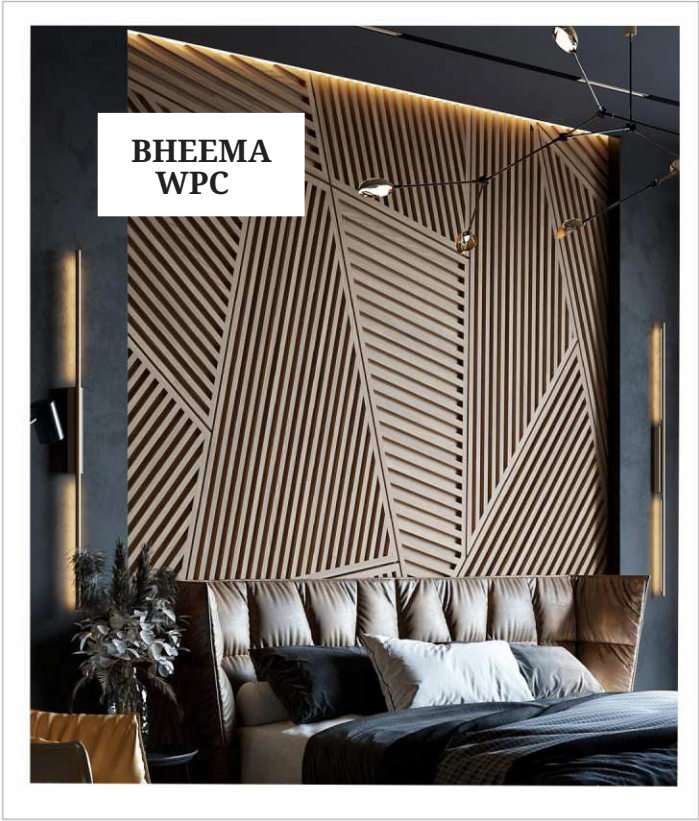


**Profile Code** : **BW-6001**  
**Dimensions** : 215mm x 26mm  
**Standard Length** : 8ft, 10 ft  
**Colour** : Coffe

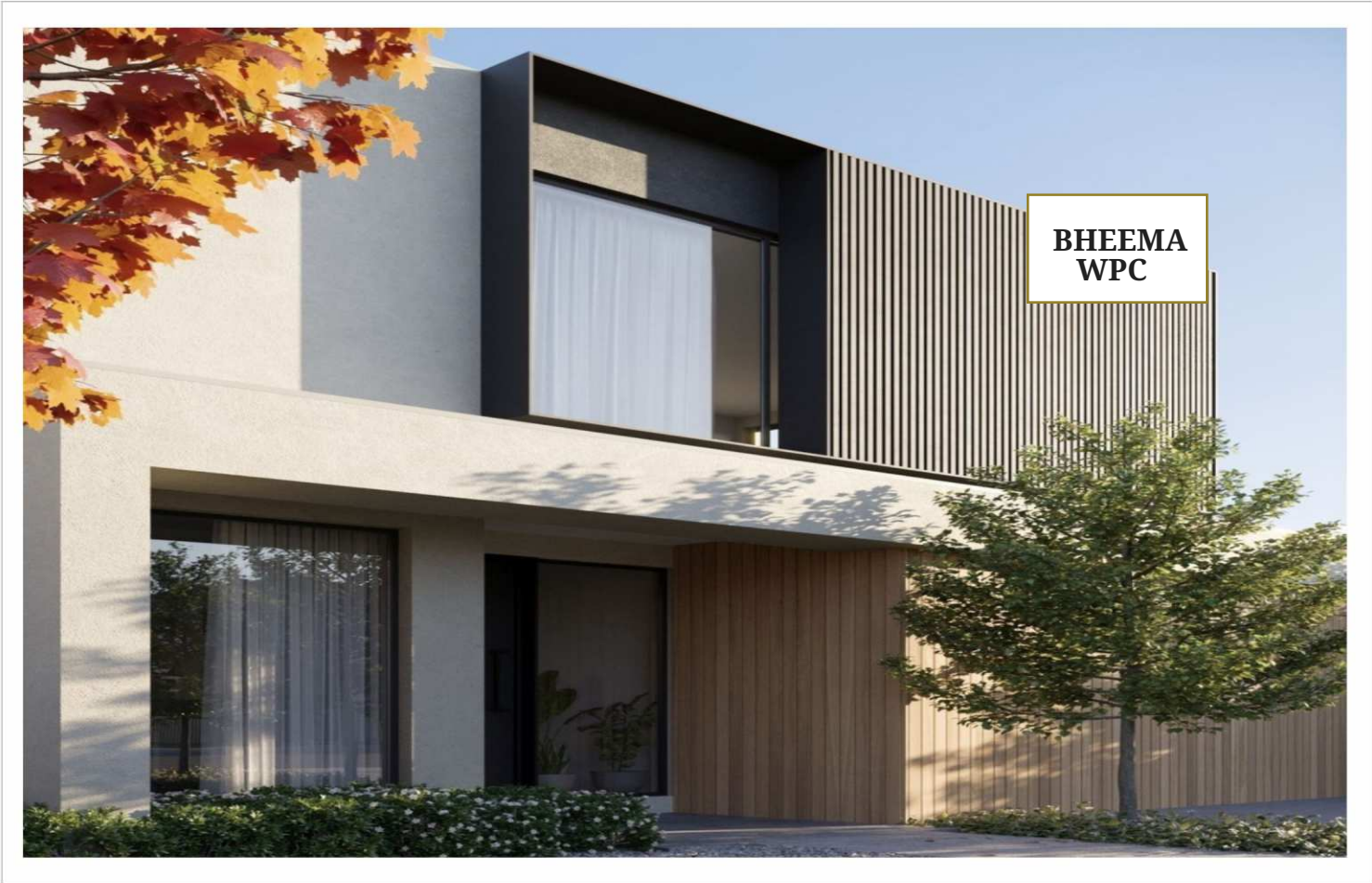
**Profile Code** : **BW-6002**  
**Dimensions** : 215mm x 26mm  
**Standard Length** : 8ft, 10ft  
**Colour** : Teak



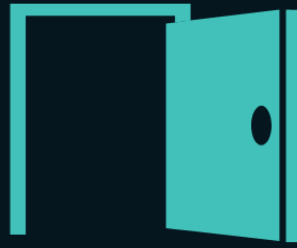
**Profile Code** : **BW-6003**  
**Dimensions** : 215mm x 26mm  
**Standard Length** : 8ft, 10ft  
**Colour** : Gray



**WALL PANEL**  
Interior & Exterior



**BHEEMA WPC**



**BHEEMA  
WPC FRAME**

**GREAT PRODUCT FOR GREAT BUILD**

## **Our Products**

**WPC Frame**

**WPC Door**

**WPC Deck Flooring**

**WPC Wall Cladding**

**WPC Plank**

**WPC Deck Tiles**

**WPC Louvers**

**WPC Pergola & Gazebo**

**BHEEMA  
WPC  
INDUSTRIES**